

FEATURES :

- 6W SIP8 Package
- 4:1 Wide Input Voltages Range
- High Efficiency Up To 88%
- Customized Solutions Available
- Remote Control: On/Off
- Operating Temperature From -40°C To +85°C
- UL94V-0 Package Material
- EMC Standard of EMI EN55032:2012+AC:2013 (Class B) Approved
- EMC Standard of EMS EN55024:2010 Approved
- 3 Years Warranty

YUAN DEAN SCIENTIFIC



DC-DC Converter

27DW-6W SERIES

6Watt 1.5KV Isolated

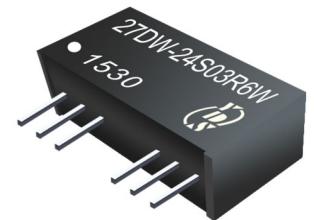
4 : 1 Input Voltage Range

Single & Dual Output

SIP8

Specifications typical at TA=25°C, nominal input voltage and rated output current unless otherwise specified

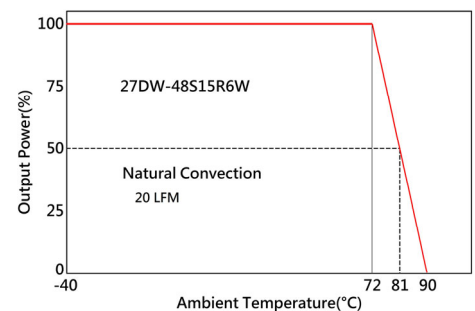
Part Number	Input Voltage Range	Input Current		Output Voltage Range	Output Current	Efficiency
	Vdc	No Load (mA TYP)	Full Load (mA TYP)	Vdc	mA	%TYP
27DW-24S03R6W	9-36	7	255	3.3	1500	81
27DW-24S05R6W	9-36	7	298	5	1200	84
27DW-24S12R6W	9-36	7	287	12	500	87
27DW-24S15R6W	9-36	7	284	15	400	88
27DW-24S24R6W	9-36	7	287	24	250	87
27DW-48S03R6W	18-72	7	127	3.3	1500	81
27DW-48S05R6W	18-72	7	149	5	1200	84
27DW-48S12R6W	18-72	7	144	12	500	87
27DW-48S15R6W	18-72	7	144	15	400	87
27DW-48S24R6W	18-72	7	144	24	250	87
27DW-24D12R6W	9-36	7	287	±12	±250	87
27DW-24D15R6W	9-36	7	287	±15	±200	87
27DW-48D12R6W	18-72	7	144	±12	±250	87
27DW-48D15R6W	18-72	7	144	±15	±200	87



Input Specifications

Parameters	Conditions	Min	Typ	Max	Units
Voltage Types	Vo, Io Nom			4:1	
Filter	Capacitor				

Temperature Derating Graph



www.yds.com.tw



TEL : 886-6-3842899 FAX : 886-6-3843288

E-MAIL : ydsweb@yds.com.tw

Rev:1.0 2021/01/07

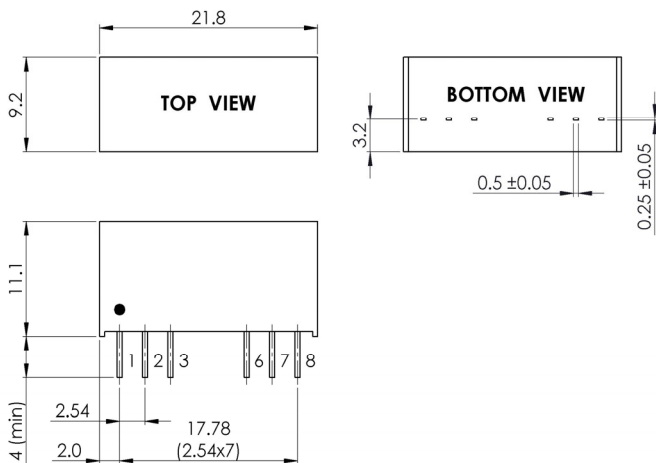
Output Specifications

Parameters	Conditions	Min	Typ	Max	Units
Voltage Tolerance	100% full load			±2	%
Short Circuit Protection	Continuous, Auto-Recovery				
Line Regulation		-0.5		+0.5	%
Load Regulation	Single output models Dual output models	-0.5 -5.0		+0.5 +5.0	%
Ripple & Noise	Output:3V-10V TYPES BW=DC To 20MHz			100	mVp-p
	Output>10V TYPES BW=DC To 20MHz		1% of Vout		mVp-p
Transient response setting time	25% load step change		250		us

General Specifications

Parameters	Conditions	Min	Typ	Max	Units
Isolation Voltage			1500		Vdc
Isolation Resistance	500Vdc	1000			MΩ
Switching Frequency	Single Dual		400 500		KHz
Operating Temperature		-40		85	°C
Storage Temperature		-55		125	°C
Humidity	Non Condensing			95	%
Cooling	Natural Convection (20LFM)				
Case material	DAP				
MTBF	MIL-HDBK-217F @25°C	1500000			Hours
Weight			4.5		g
Dimensions			21.8x9.2x11.1		mm

Dimensions



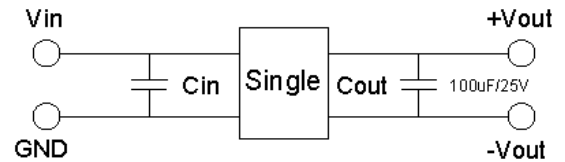
UNIT : mm tolerances are XX.X±0.5 ,XX.XX±0.25, the tolerance of Pin size is ±0.05

Part Number

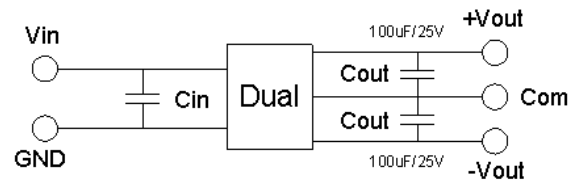
27DW - 24 S 05 R 6W
A B C D E F

- A: Series
- B: Input Voltage
- C: Single Output
- D: Output Voltage
- E: Regulated(R)
- F: Watt

Recommended Test Circuit



24V&48V :Cin 10uF,100V



24V & 48V :Cin 10uF,100V

PIN Connection

Pin	1	2	3	6	7	8
Single	-Vin	+Vin	Remote ON/OFF	+Vout	-Vout	NC
Dual	-Vin	+Vin	Remote ON/OFF	+Vout	COM	-Vout