

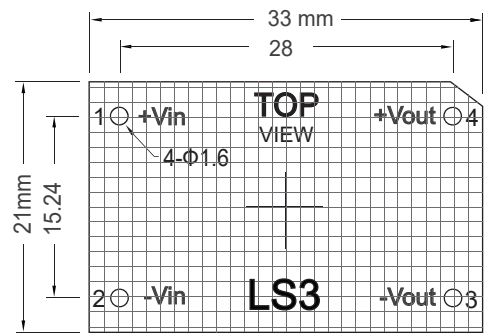
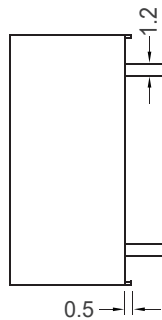
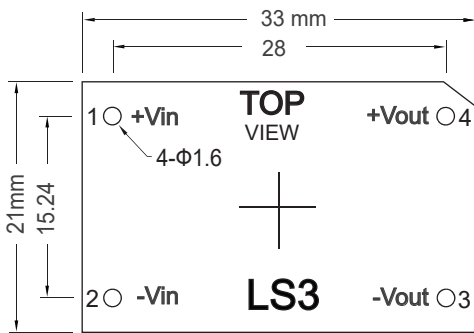
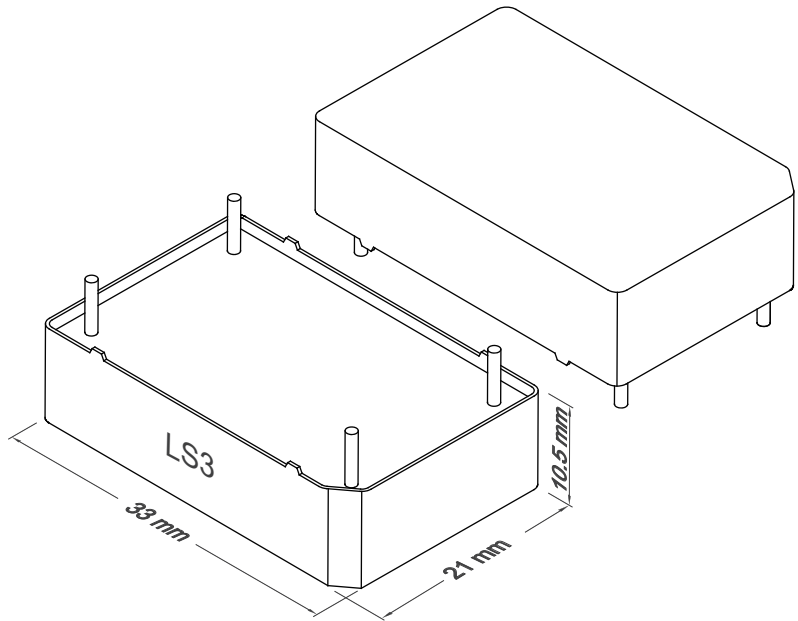


◆With an internal silicon molding, this product is dustproof and damp-proof. It is pcb-on-board type and is convenient because it can be directly soldered to pcb.

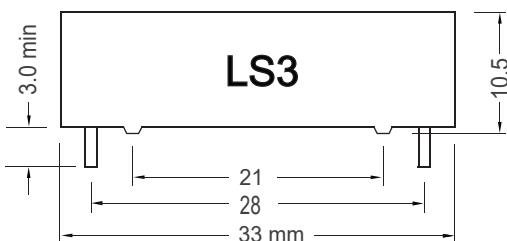
실리콘 몰딩으로 방진 방습 제품 입니다. PCB on board type으로 PCB에 바로 인서트 할 수 있어 편리합니다. 전자기기, 산업용, 의료용, 선박, 전동차, 통신장비용

◆Features

- Small, compact size
- High efficiency
- Low output ripple & noise
- Isolated input-output
- 10 years warranty(use operated 25℃)
- RoHS directive



◆Art-Work Reference

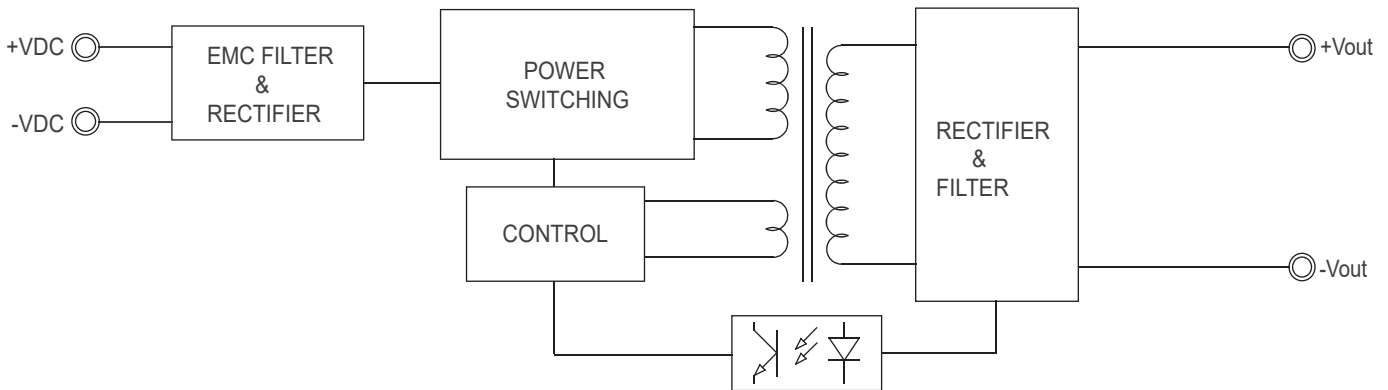


Pin Function			
1	2	3	4
+Vin	-Vin	-Vout	+Vout

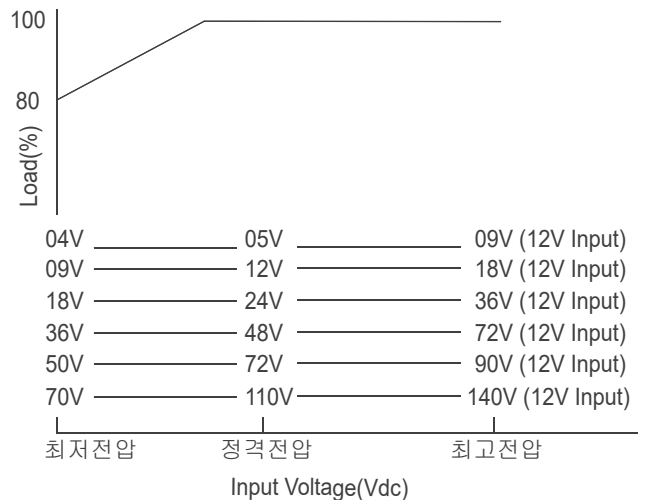
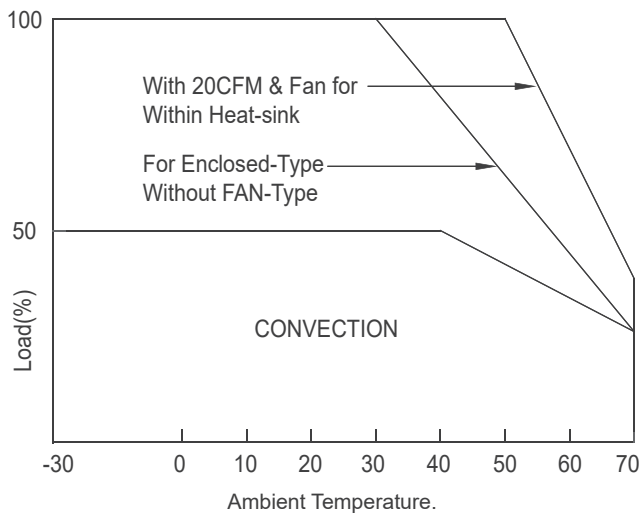
◆LS3-□□-□□

Model	Input Range	V-out	I-out	P-out	Efficiency	Notes
LS3-5-3R3	4.6~7.2VDC	3.3V	0.60A	2.0W	66%	
LS3-5-05		5V	0.40A	2.0W	66%	
LS3-5-12		12V	0.20A	2.4W	68%	
LS3-5-15		15V	0.15A	2.4W	68%	
LS3-12-3R3	9~18VDC	3.3V	0.70A	2.3W	73%	
LS3-12-05		5V	0.60A	3.0W	73%	
LS3-12-12		12V	0.25A	3.0W	75%	
LS3-12-15		15V	0.20A	3.0W	75%	
LS3-24-3R3	18~36VDC	3.3V	0.70A	2.3W	78%	
LS3-24-05		5V	0.60A	3.0W	78%	
LS3-24-12		12V	0.25A	3.0W	80%	
LS3-24-15		15V	0.20A	3.0W	80%	
LS3-48-3R3	36~72VDC	3.3V	0.70A	2.3W	82%	
LS3-48-05		5V	0.60A	3.0W	82%	
LS3-48-12		12V	0.25A	3.0W	82%	
LS3-48-15		15V	0.20A	3.0W	82%	

◆ BLOCK DIAGRAM



◆ DERATING CURVE



**◆ENVIRONMENTAL & ISOLATION SPECIFICATONS**

Parameter	Min	Typ	Max	Unit	Notes
Operating Temperature, Use Case < 100℃	-20	-	70	℃	▷ Refer to derating curve
Storage Temperature	-40	-	100	℃	
Operating Humidity(Non condensing)	10	-	95	%	
Isolation Resistance(Input : Output)	100	-	-	MΩ	At 500VDC
Isolation Voltage(Input : Output)	500			VAC	At 10mA
Isolation Voltage(Input : Case)	500			VAC	At 10mA

**◆SPECIFICATONS INPUT CHARACTERISTICS**

Parameter	Min	Typ	Max	Unit	Notes
Switching Frequency	-	300	-	KHz	
Remote ON/OFF CNT					▷ Refer to technical notes
Operating Input Voltage Range(Vin)	Min	Typ	Max	Unit	
Input Range 05V	4.6	5	7.2	V	
Input Range 12V	9	12	18	V	
Input Range 24V	18	24	36	V	
Input Range 48V	36	48	72	V	
Input Range 72V	50	72	90	V	
Input Range 110V	70	110	140	V	
Over Current Protection(Rated Pout)	110	-	-	%	constant current, max 3sec

**◆SPECIFICATONS OUTPUT CHARACTERISTICS**

Parameter	Min	Typ	Max	Unit	Notes
Output Voltage Tolerance	-	-	2	%	
Line Regulation	-	-	0.5	%	
Load Regulation	-	-	1	%	
Output Power	-	-		W	
Output Ripple & Noise (Norminal Input, max-load)	-	-	1% of Vo	mV	B/W 20Mhz, 1uF Cap
Dynamic Load Response	-	-	5% of Vo	mV	
TRM(Output Trimable Vout)		-	@+5%	%	
Output Shot-Circuit Protection		110		%	less than 3 seconds

**◆DIMENSONS & WEIGHT**

	LS1R5,LD1R5	LS3,LD3	LS6,LD6	LS10	LS25	UNIT
Dimensions	28 X 16 X H10.5	33 X 21 X H10.5	47 X 28 X H10.5	47 X 42 X H10.5	65 X 50 X H10.5	mm
Weight	10g	15g	25g	40g	10g	gram
	IS10,IS15,ID10	ID20,ID30	VS1R5,VD1R5	VS3,VD3	GMS100,200	UNIT
Dimensions	50.8 X 25.4 X H11	50.8 X 50.8 X H12	25 X 16 X H9	25 X 18 X H9	87.6 X 61 X H13	mm
Weight	28g	55g	4g	5g	105g	gram