

Picture coming soon

FEATURES:

- Wide 4:1 Input Voltage Range
- High efficiency up to 88%
- 1500 VDC Isolation
- Over Current Protection
- No load consumption $\leq 0.12W$
- Operating Temperature $-40^{\circ}C$ to $+85^{\circ}C$
- Output Over Voltage protection
- Continuous Short Circuit Protection
- Input Under voltage Protection



Models

Single output

Model	Input Voltage (V)	Output Voltage (V)	Output Current max (mA)	Isolation (VDC)	Max Capacitive Load(μ F)	Efficiency (%)
AM6CW-2403S-NZ	9-36	3.3	1500	1500	1800	79
AM6CW-2405S-NZ	9-36	5	1200	1500	1000	83
AM6CW-2409S-NZ	9-36	9	667	1500	680	85
AM6CW-2412S-NZ	9-36	12	500	1500	470	87
AM6CW-2415S-NZ	9-36	15	400	1500	220	88
AM6CW-2424S-NZ	9-36	24	250	1500	100	88
AM6CW-4803S-NZ	18-75	3.3	1500	1500	1800	79
AM6CW-4805S-NZ	18-75	5	1200	1500	1000	83
AM6CW-4812S-NZ	18-75	12	500	1500	470	87
AM6CW-4815S-NZ	18-75	15	400	1500	220	88
AM6CW-4824S-NZ	18-75	24	250	1500	100	88
AM6CW-11005S-NZ	40-160	5	1200	1500	1000	81
AM6CW-11012S-NZ	40-160	12	500	1500	100	83
AM6CW-11015S-NZ	40-160	15	400	1500	100	85
AM6CW-11024S-NZ	40-160	24	250	1500	47	85

Models

Dual output

Model	Input Voltage (V)	Output Voltage (V)	Output Current max (mA)	Isolation (VDC)	Max Capacitive Load(μ F)	Efficiency (%)
AM6CW-2405D-NZ	9-36	± 5	± 600	1500	470	83
AM6CW-2412D-NZ	9-36	± 12	± 250	1500	100	87
AM6CW-2415D-NZ	9-36	± 15	± 200	1500	100	88
AM6CW-2424D-NZ	9-36	± 24	± 125	1500	100	88
AM6CW-4805D-NZ	18-75	± 5	± 600	1500	470	83
AM6CW-4812D-NZ	18-75	± 12	± 250	1500	100	87
AM6CW-4815D-NZ	18-75	± 15	± 200	1500	100	88
AM6CW-4824D-NZ	18-75	± 24	± 125	1500	100	88

NOTE: All specifications in this datasheet are measured at an ambient temperature of $25^{\circ}C$, humidity $< 75\%$, nominal input voltage and at rated output load unless otherwise specified.

Input Specifications

Parameters	Nominal	Typical	Maximum	Units
Voltage range	24	9-36		VDC
	48	18-75		
	110	40-160		
Filter	Pi			
Absolute Maximum Rating (100ms)	24		-0.7 - 50	VDC
	48		-0.7 - 100	
	110		-0.7 - 180	
No Load Input Current	24		12	mA
	48		8	
	110		5	
Input reflected current		20		mA
Input Under voltage turn off*	24	6.5		VDC
	48	15.5		

*24 & 48V input models only.

Isolation Specifications

Parameters	Conditions	Typical	Maximum	Units
Tested I/O voltage	60 sec, <1mA	1500		VDC
Resistance	500VDC		>1000	MOhm
Capacitance		1000		pF

Output Specifications

Parameters	Conditions	Typical	Maximum	Units
Voltage accuracy		±2		%
Voltage balance (Dual Output Models)	Balanced Load	±1.5		%
Over voltage protection		110-160		% of Vout
Over current protection	24 & 48V input models only	110-190		% of Iout
Short Circuit protection		Continuous		
Short circuit restart		Auto-Recovery		
Line voltage regulation (Single)	Full load, LL to HL	±0.5		% of Vin
Line voltage regulation (Dual)	Full load, LL to HL	±1		% of Vin
Load voltage regulation (Single)	5% to 100% load	±1		%
Load voltage regulation (Dual)	5% to 100% load	±1.5		%
Cross Regulation (Dual Output Models)	25% load on one output - 100% load on second load	±5		%
Temperature coefficient	100% load		±0.03	%/°C
Ripple & Noise		100		mV p-p
Transient recovery time	25% load step change		1	mS
Transient recovery deviation	25% load step change		±8	%

General Specifications

Parameters	Conditions	Typical	Maximum	Units
Switching frequency	100% load	300		KHz
Operating temperature	Derating above 71°C	-40 to +85		°C
Storage temperature		-55 to +125		°C
Maximum case temperature			100	°C
Cooling		Free air convection		
Humidity			95	% RH
Case material		Aluminum Alloy		
Weight		14		g
Dimensions (L x W x H)		1 x 1 x 0.46 inches 25.40 x 25.40 x 11.70 mm		
MTBF		>1,000,000 hours (MIL-HDBK -217F, Ground Benign, t=+25°C)		
Maximum soldering temperature	1.5mm from case for 10 sec		300	°C

Environmental Specifications

Parameters

Vibration	Test mode	5-150Hz
	Acceleration	2G, 30min one cycle, every axis tested
	Displacement	7.5mm

Safety Specifications

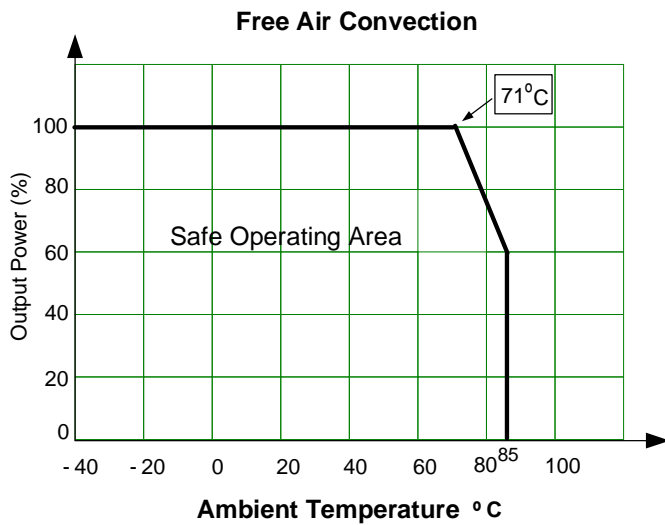
Parameters

Standards	Meets EN60950-1
	EN 55022, class B (with the recommended EMC circuit)

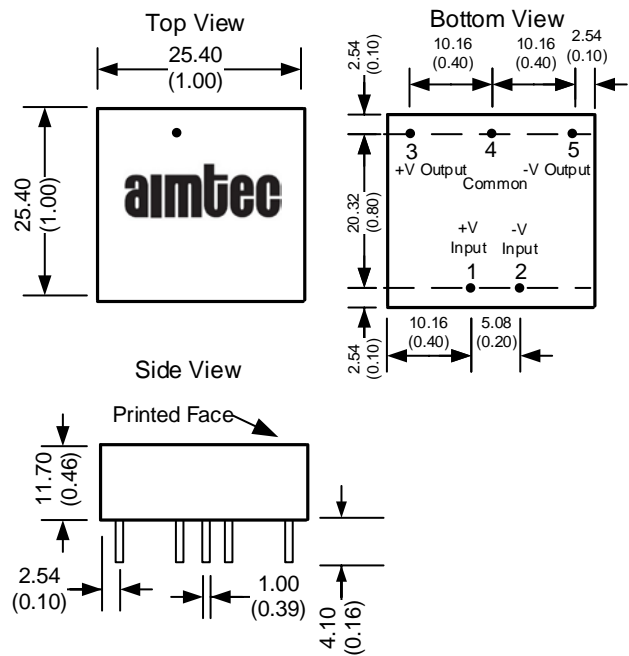
Pin Out Specifications

Pin	Single	Dual
1	+V Input	+V Input
2	-V Input	-V Input
3	+V Output	+V Output
4	No pin	Common
5	-V Output	-V Output

Derating



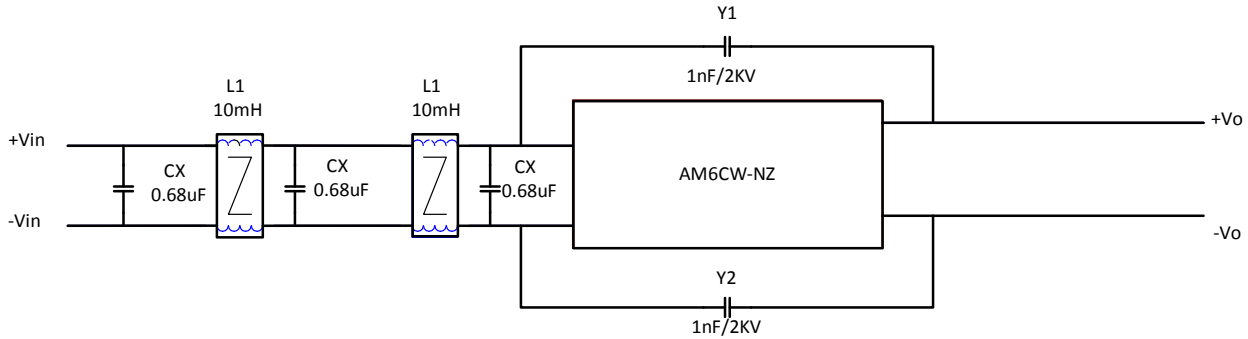
Dimensions



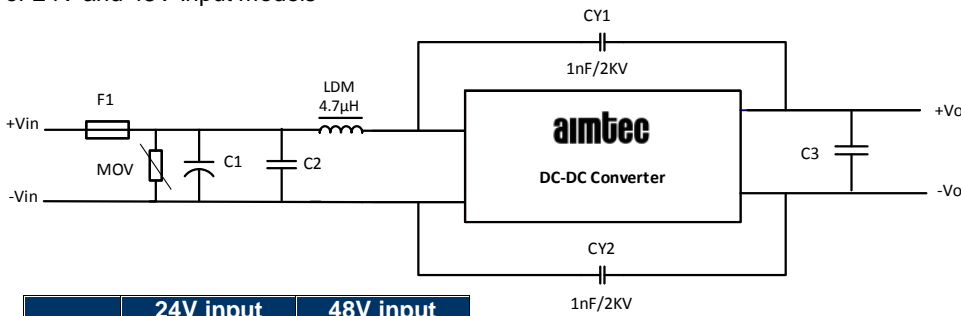
Notes: All dimensions are typical in millimeters (inches).
Case Tolerance ± 0.25 (± 0.01)
Pin diameter tolerance ± 0.1 (± 0.004)
Pin height tolerance ± 0.5 (± 0.02)

Recommended EMC Circuits

For 110V input models



For 24V and 48V Input models



	24V input	48V input
MOV	S14K35	S14K60
C1	330µF/50V	330µF/100V
C2	1µF/50V	1µF/100V
C3	10µF/50V	10µF/100V

NOTE: 1. Datasheets are updated as needed and as such, specifications are subject to change without notice. Once printed or downloaded, datasheets are no longer controlled by Aimtec; refer to www.aimtec.com for the most current product specifications. 2. Product labels shown, including safety agency certifications on labels, may vary based on the date manufactured. 3. Mechanical drawings and specifications are for reference only. 4. All specifications are measured at an ambient temperature of 25°C, humidity<75%, nominal input voltage and at rated output load unless otherwise specified. 5. Aimtec may not have conducted destructive testing or chemical analysis on all internal components and chemicals at the time of publishing this document. CAS numbers and other limited information are considered proprietary and may not be available for release. 6. This product is not designed for use in critical life support systems, equipment used in hazardous environments, nuclear control systems or other such applications which necessitate specific safety and regulatory standards other the ones listed in this datasheet. 7. Warranty is in accordance with Aimtec's standard Terms of Sale available at www.aimtec.com.

This datasheet has been downloaded from:

datasheet.eeworld.com.cn

Free Download

Daily Updated Database

100% Free Datasheet Search Site

100% Free IC Replacement Search Site

Convenient Electronic Dictionary

Fast Search System

www.EEworld.com.cn