

Stand: 24/08

unregulated

INDUSTRIAL DC/DC Converters

2x3 Watt = 6 Watt
 Series: LHVI

Applications:
 - IGBT auxiliary supply
 - medical application

High reinforced
 and partial discharge free insulation

EN50178 / EN50124-182 / EN61800-5

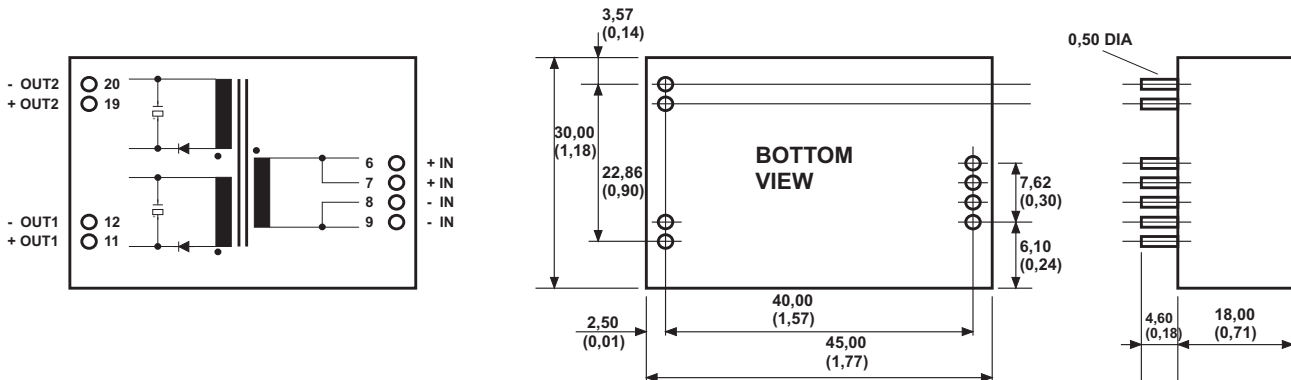
Electrical specifications:

| | | |
|---------------------------------------|--|-------------------------------|
| Output voltage accuracy: unregulated | Primary / Secondary: | insulation test voltage 10 kV |
| Short circuit protection: continuous | Secondary 1/ Secondary 2: | du/dt...>100kV/μs |
| Ambient temperature: -40°C to +71°C | Capacitance Prim/Sec/Sec: typical <15pF | insulation test voltage 10kV |
| Optional: Part-No.: /8 | Part-No.: /2 partial-discharge 2,3kV AC free (TE - frei) | du/dt...>100kV/μs |
| -55°C to +85°C ambient temperature | Part-No.: /5 5kV AC discharge free available | |
| | add isolation quality specifier to part-no. e. g. /2 | |

CAUTION: NO INPUT POLARITY CHANGE ALLOWED!

| Part-No. | Input Voltage DC | Output Voltage DC | Output current mA | Efficiency |
|-------------|------------------|-------------------|-------------------|------------|
| LHVI-051515 | 4,75V - 5,5V | 15V / 15V | 200mA / 200mA | 75% |
| LHVI-121515 | 10,8V - 13,2V | 15V / 15V | 200mA / 200mA | 76% |
| LHVI-151515 | 13,5V - 16,5V | 15V / 15V | 200mA / 200mA | 76% |
| LHVI-241515 | 21,6V - 26,4V | 15V / 15V | 200mA / 200mA | 76% |
| LHVI-481515 | 43,2V - 52,8V | 15V / 15V | 200mA / 200mA | 76% |

any other IN & OUTPUT voltage available also with unequal output voltages !



additional 220μF input & output capacitors recommended
 ripple & noise depend on load & external capacitors

ALL DIMENSIONS IN MM (INCHES)
 MILLIMETERS +/- 0,5mm
 (INCHES +/- 0,02")
 All pins on a 2,54mm pitch.

Specification may be changed without notice
 please contact office for verification

We can offer EMC - Filter
 according to EN55011/22 Class B.

unregulated
 imbalanced outputs

INDUSTRIAL DC/DC Converters

Stand: 24/08
2x3 Watt = 6 Watt
Series: LHVI / 9

Applications:
 - IGBT auxiliary supply
 - medical application

**High reinforced
 and partial discharge free insulation**

EN50178 / EN50124-182 / EN61800-5

Electrical specifications:

Output voltage accuracy: unregulated
 Short circuit protection: continuous
 Ambient temperature: -40°C to +71°C
 Optional:
 Part-No.: /8 -55°C to +85°C
 ambient temperature

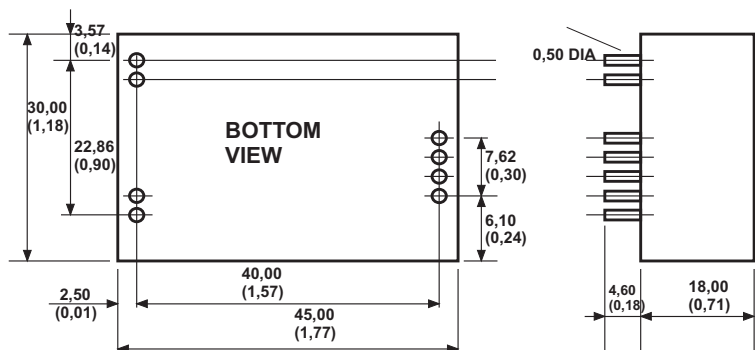
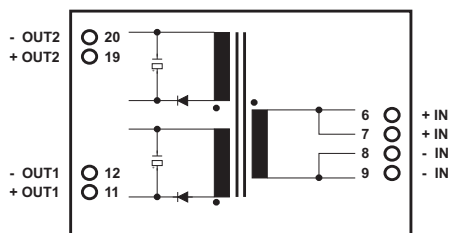
Primary / Secondary: insulation test voltage 10 kV
 du/dt...>100kV/μs
 Secondary 1/ Secondary 2: insulation test voltage 10kV
 du/dt...>100kV/μs
 Capacitance Prim/Sec/Sec: typical <15pF
 Part-No.: /2 partial-discharge 2,3kV AC free (TE - frei)
 Part-No.: /5 5kV AC discharge free available

add isolation quality specifier to part-no. e. g. /2

CAUTION: NO INPUT POLARITY CHANGE ALLOWED!

| Part-No. | Input Voltage DC | Output Voltage DC | Output current mA | Zero-Load Condition | Eff. % |
|-------------------|------------------|-------------------|---|----------------------|--------|
| LHVI-121515/9 | 10,8V - 13,2V | 15V / 15V | U1 380mA 15,2V U2 20mA 15,8V | 18,3V 15,4V ±0,4% | 80% |
| LHVI-121507/2/9 | 10,8V - 13,2V | 15V / 7V | 300mA 15,0V 200mA 7,0V | 16,4V 7,4V ±0,4% | 80% |
| LHVI-151705,6/5/9 | 13,5V - 16,5V | 17V / 5,6V | 150mA 17,0V 150mA 5,6V | 16,4V 7,4V ±0,4% | 80% |

Any other output voltages available



additional 220μF input & output capacitors recommended
 ripple & noise depend on load & external capacitors

ALL DIMENSIONS IN MM (INCHES)
 MILLIMETERS +/- 0,5mm
 (INCHES +/- 0,02")
 All pins on a 2,54mm pitch.

Specification may be changed without notice
 please contact office for verification

We can offer EMC - Filter
 according to EN55011/22 Class B.