

Wide input range

# INDUSTRIAL DC/DC Converters Step Down

30 - 50 Watt  
 Series: TSD2

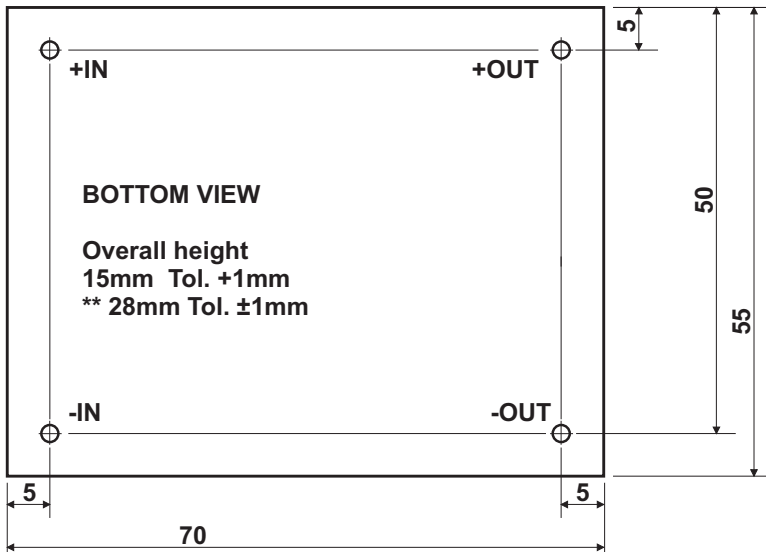
**Electrical specifications:**

Input voltage:	wide	Ambient temperature:	-40°C to +71°C
Output voltage accuracy:	+/- 3%	Operating temperature:	max. +105°C
Line regulation:	+/- 1%	Insulation voltage:	none
Load regulation:	+/- 3%	Short circuit protection:	continuous
Efficiency:	86%	Output ripple & noise:	max. 100mVp-p
		Low voltage lockout	

CAUTION: NO INPUT POLARITY CHANGE ALLOWED!

Part-No.	Input voltage	N O ISOLATION	Output voltage	Output current
TSD2-2412	24V (18 - 36)		12V Other voltages on request	3 A
TSD2-4812**	48V (30 - 72)		12V Other voltages on request	3 A

Any other output voltages available



NOTE:  
 Pin size is 1mm diameter.

ALL DIMENSIONS IN MM  
 Tolerance +/- 0,5mm

Specification may be changed without notice  
 please contact office for verification

We can offer EMC - Filter  
 according to EN55011/22 Class B.