

DC-DC

宽电压输入 / 隔离稳压输出
Wide Input range (2:1 or 4:1)

POWER MODULE

DW Series

• 典型性能

Typical performance

• 宽范围输入	Wide Input voltage range (2:1 or 4:1)
• 转换效率典型82%	Typical Efficiency 82%
• 开关频率	Switching frequency:300KHz
• 过滤、短路保护,自动恢复	Over current/Short circuit protection,Self-furbish
• 输入与输出高隔离	Input-output isolate
• PCB板上直插式安装	Board in-line type installs
• 金属外壳, 输出纹波低	Metal case, Low Output Ripple

• 输入特性 Input

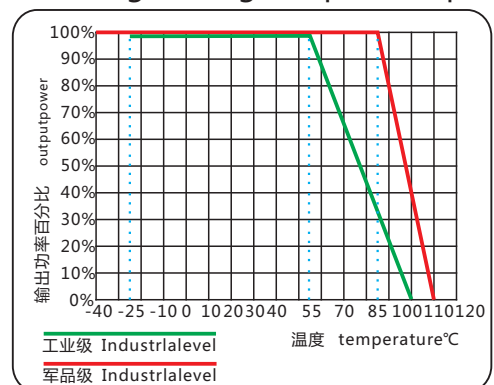
	(2 : 1) Input	(4 : 1) Input
输入电压范围 Vdc Input voltage	标称/Nominal:5V(4.5-9V)	Not
	标称/Nominal:12V(9-18V)	标称/Nominal:12V(18-36V)
	标称/Nominal:24V(18-36V)	标称/Nominal:24V(18-72V)
	标称/Nominal:48V(36-72V)	Not
遥控端(低电平遥控) Remote ON/OFF (Low level remote)	ON 高电平或悬空工作 High level or hanging flat to work	3.5Vdc ≤ REM ≤ 12Vdc
	OFF 低电平或接地关断 Shut off the low level or ground	REM ≤ 0.3Vdc
输入欠压保护 Input undervoltage protection	低于低端输入电压, 电源关断输出, 自动恢复 Lower than the low-input voltage protection, Self-furbish	

• 输出特性 Output

输出电压精度 Voltage accuracy		Vo1,Vo2	±1.0%, ±2.0%
源效应 Line regulation	标称负载, 全电压范围 Nominal load, full voltage range	Vo1,Vo2	±0.2%, ±1.5%
负载效应 Load regulation	20%-100%额定负载 The rated load	Vo1,Vo2	±0.5%, ±4.0%
纹波及噪声 Ripple and noise	20MHz Bm满载 Full load	Vo ≤ 5.0V, ≤ 50mVp-p Vo ≥ 48V, ≤ 180mVp-p	Other ≤ 100mVp-p
动态响应 Dynamic response	25%的标称负载阶跃 25% of the nominal load step	△Vo1/△t	±4.0/500us%
输出电压调节 Voltage adjust	标称输出电压 Nominal output voltage	无调节端 No adjustment end	
启动延迟时间 Start delay time	典型值 Typical values		≤ 200mS

• 模块电源降额使用曲线图

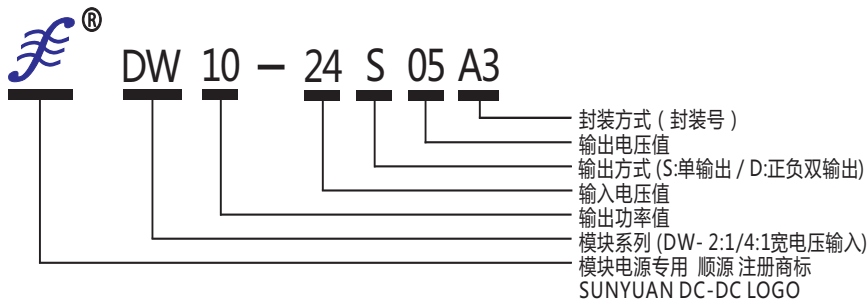
Refrigerating Output GRaph



• 一般特性 General

转换效率 Efficiency	标称电压输入, 满载 Nominal input Full load	Vo ≤ 5.0V, 80%典型 Typical	Vo > 5.0V, 82%典型 Typical
开关频率 Switching frequency		300KHz 典型 Typical	最大 Max 330KHz
工作环境温度 Operating temperature	自由空气对流 Free air	工业级 Industrial level	-25°C - +55°C
		军品级 Military level	-40°C - +85°C
储存温度 Storage temperature		工业级 Industrial level	-40°C - +105°C
		军品级 Military level	-55°C - +120°C
最大壳温 Max case temperature		工业级 Industrial level	+100°C
		军品级 Military level	+110°C
相对湿度 Relative humidity			10% - 90%
外壳材料 Case material			金属壳 Metal case
隔离电压 Isolation Voltage	输入与输出 Input-output 1.5K Vdc ≤ 1.5mA/1min		
最小无故障间隔时间 (MTBF)	2X10 ⁵ Hrs		

Product Nomination Method / 产品命名



举例说明: DW 10 - 48D 05W I B1

① A:表示AC-DC, D:表示DC-DC

R:表示DC-AC正弦波; Q表示DC-AC方波

② W:表示宽范围, N:表示窄范围

③ 表示输出功率; 10表示10W

④ 表示输入电压, 48表示48V

⑤ 表示输出路数:S(单路), D(双路), T(三路), Q(四路)

⑥ 表示输出电压, 05表示5V

⑦ W:表示4比1输入电压

⑧ I:表示输出隔离 未标表示默认共地

⑨ 表示封装形式 详见封装尺寸表

Packaging size table/封装尺寸表

封装	封装代号	封装尺寸	系列名称
A1	100100D	25.4×25.4×11.7	DW3/DW5
A21/A22	125080D1/D2	31.8×20.3×12.7	DW3/DW5
A31/A32/A3	1406073 AP1/AP2/D	37×18.5×16.5	AW2.5
A4	191142A	48.5×36×20.5	AW3
B11/B1/B12	200100 A/D/Q	50.8×25.4×10.16	AW3/DW5/DW10/DW12/DW15/DW30/QN3
B21/B2	200150 A/D	50.8×38.1×8.5	AW5/DW6
B3	200160D	50.8×40.64×10.16	DW15/DW20/DW30
B4/B41	200200 D/Q	50.8×50.8×10.16	DW25/DW40/QW6/QW10
B5	240200Q	61×50.8×12.7	QW6/QW10
B6	213177A	51×45×20.5	AW5
B7	245177A	62×45×22.5	AW10/AW15
B8	265200Q	61×50.8×10.16	QW6/QW10
B9	276189A	70×48×23.5	AW25
B10	240228D	61×57.9×12.7	DW50/DW75/DW100
C2	300241D	76.3×61.1×12.7	DW30
C3/C31	300300D/Q	76.2×76.2×12.7	DW40/QW10/QW20
C4	315217D	80×51.1×10.16	DW15/DW20
C61/C6	350250A/D	88.9×63.5×17	AW30/AW40/DW50/DW75
D11/D1	400300A/D	101.6×76.2×12.7	AW30/AW40/AW50/AW75/DW50
D2	400400Q	101.6×101.6×12.7	QW30/QW40/QW50
D3	460240D	116.84×61×12.7	DW150/DW200/DW300
E11/E1/E12	500350A/D/Q	127×88.9×17.2	AW50/AW75/DW75/DW150/QW100
P1	772638D	196×162×60	DW200/DW300

以上封装仅供参考, 如特殊封装请与技术支持联系

The above package is only for reference, such as special packaging please contact technical department

PIN Definition / 管脚定义

- NC: 表示有此管脚但无电气连接 (用来固定模块电源的空脚)
- NP: 表示无此管脚
- REM: 表示遥控 (是用来做远端控制, 有时也用CNT, CTL表示)
- TRIM: 表示输出电压微调端 (配合±S或±Vout调节) +S表示下调 -S表示上调
- ADJ: 表示输出电压微调 (但一般用来表示上调而不做下调)
- COM: 表示公共接地管脚
- GND: 表示单路接地管脚
- +Vin: 表示输入电压正极
- Vin: 表示输入电压负极
- +Vout: 表示输出正极
- Vout: 表示输出负极
- AC(N): 表示交流零线输入
- AC(L): 表示交流火线输入
- CASE: 表示接模块外壳
- FG: 接大地
- AUX: 辅助电源
- IOG: 状态显示
- CS: 表示外接滤波电容
- NC: No Electrical connection (used to fix power module)
- NP: No Pin
- REM: Remote Control (sometimes also indicated by CNT or CTL)
- TRIM: Output voltage trimming (coordination or ?Vout adjustment), +S indicates reduction, -S indicates increase
- ADJ: Output voltage adjusted (generally used to increase but not reduce)
- COM: Common port
- GND: Ground
- +Vin: Input voltage positive
- Vin: Input voltage negative
- +Vout: Output positive
- Vout: Output negative
- AC(N): Neutral
- AC(L): Live
- CASE: Module case
- FG: Frame ground
- AUX: Auxiliary power supply
- IOG: Inverter operation status
- CS: Outside filter capacitor

DC-DC 电源模块产品选型检测及应用简介

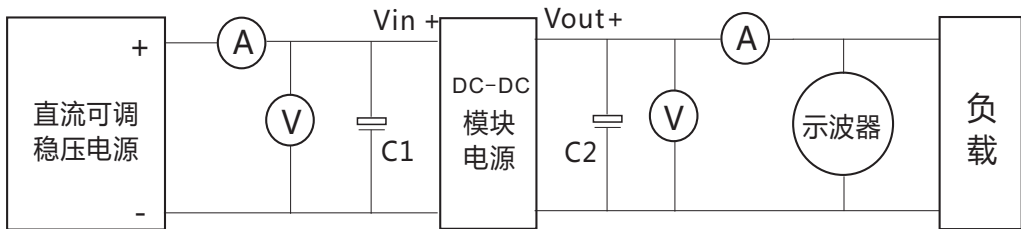
一. DC-DC模块电源 / ISO系列电量隔离放大器隔离高压检测方法

产品隔离测试采用6KV高压测试仪，DC-DC模块电源检测输入回路与输出各回路之间的隔离。如图：检测时请注意防触电人身安全！必须分别将输入端、输出端(包括多路输出)的每个回路中各引脚并联后测量。以免不同回路高压放电给产品造成不可修复的损坏。测试条件：室温TA=25℃，湿度<75%。按产品隔离电压规格设定额定高压值。



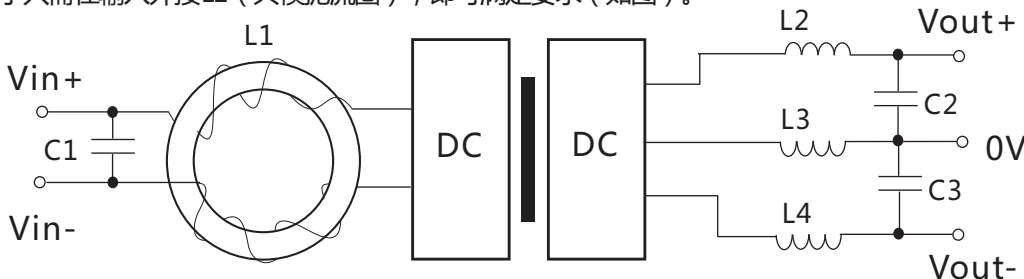
二. DC-DC模块电源产品主要参数检测方法

采用标准的开尔文四端输入和额定负载测试（如图）。
测试条件：室温TA=25℃，湿度：<75%。标称输入和额定负载。



三. DC-DC模块电源使用中减小噪声共模干扰的参考方法

模块电源在开关频率工作下会产生共模和差模噪声。减小纹波和噪声的方法是在输入、输出端加上无源LC或RC（损耗较大）滤波网络。L的自身谐振频率要远高于模块的开关频率，允许通过的电流值也最好选在模块最大输入电流的两倍以上，内阻要较小以降低直流损耗。对于固定频率的模块，可以计算其滤波网络参数，一般的差模噪声很小只需在输入外接L1（共模扼流圈），即可满足要求（如图）。



四. DC-DC模块电源外接滤波电容选配参考

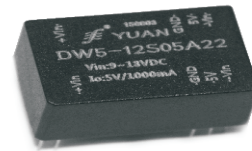
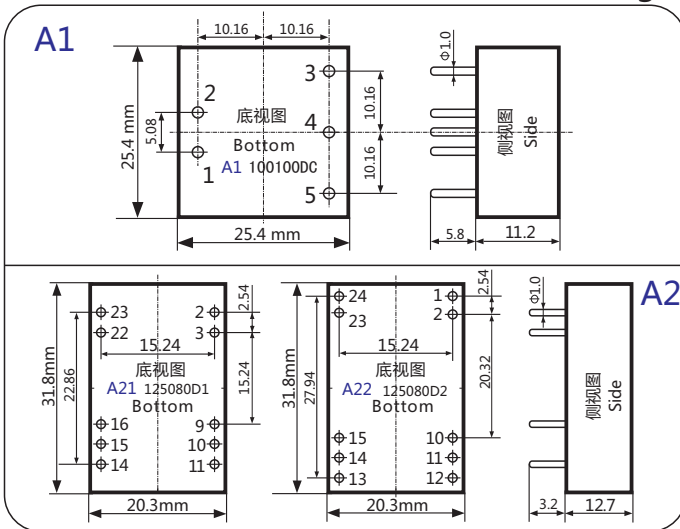
因产品内部已有滤波电路，输出滤波电容器的容值要适当。输出电容太大，很可能会造成启动问题。对于每一路输出，在确保安全可靠工作的条件下，其滤波电容的最大容值不应超过10uF。一般建议用4.7uF。若需获得非常低的纹波值时，可在DC-DC转换器输出端串联了一个电感器，这时输出滤波电容的容值不应太大。

• 产品选型举例 Typical product tabulates

输入电压范围 Input voltage range	型号 TYPE	输出电压/电流 Output Vol/Current		型号 TYPE	输出电压/电流 Output Voltage/Current	
		单输出(SIP Output)			双输出(DIP Output)	
		V	mA		V	mA
5V(4.5~9V) 12V(9~18V) 24V(18~36V) 48V(36~72V) 96V(72~144V)	DW3-□S03V3A1/A2	3.3V	900mA	DW3-□D3V3A1/A2	±3.3V	±450mA
	DW3-□S05A1/A2	5V	600mA	DW3-□D05A1/A2	±5V	±300mA
	DW3-□S09A1/A2	9V	330mA	DW3-□D09A1/A2	±9V	±165mA
	DW3-□S12A1/A2	12V	250mA	DW3-□D12A1/A2	±12V	±125mA
	DW3-□S15A1/A2	15V	200mA	DW3-□D15A1/A2	±15V	±100mA
	DW3-□S18A1/A2	18V	165mA	DW3-□D18A1/A2	±18V	±80mA
	DW3-□S24A1/A2	24V	125mA	DW3-□D24A1/A2	±24V	±62mA
	DW3-□S48A1/A2	48V	62mA	DW5-□D3V3A1/A2	±3V3	±750mA
	DW5-□S3V3A1/A2	3V3	1500mA	DW5-□D05A1/A2	±5V	±500mA
	DW5-□S05A1/A2	5V	1000mA	DW5-□D09A1/A2	±9V	±280mA
	DW5-□S09A1/A2	9V	550mA	DW5-□D12A1/A2	±12V	±210mA
	DW5-□S12A1/A2	12V	410mA	DW5-□D15A1/A2	±15V	±165mA
	DW5-□S15A1/A2	15V	330mA	DW5-□D18A1/A2	±18V	±140mA
	DW5-□S18A1/A2	18V	280mA	DW5-□D24A1/A2	±24V	±105mA
	DW5-□S24A1/A2	24V	210mA			

<□>: 表示输入电压标称值, 因篇幅有限, 以上只是部分产品列表, 若需列表以外产品, 请与本公司销售部联系。
 <□>: Shows the nominal value of input voltage, due to space limitations, the above list is only for some products, if demand for other than a list of products, please contact the Com-panys sales department.
 <A1/A2> : 表示封装尺寸的不同选择。Shows the different Dimensional .

• A1/A2 封装尺寸图 Dimensional Drawing



- Mechanical Data/ 封装尺寸 (A1) :25.4x25.4x11.2 (单位: mm)
- MechanicalData/ 封装尺寸 (A2) :31.8x20.3x12.7 (单位: mm)

• (A1) 管脚定义 PinAssignments

管脚(Pin)	1	2	3	4	5
单路(S)	-Vin	+Vin	+Vout	NP	GND
双路(D)	-Vin	+Vin	+Vout1	COM	-Vout2

• (A2)管脚定义 (A21/A22)PinAssignments

A21	管脚(Pin)	2	3	9	10	11	14	15	16	22	23
	单路(S)	-Vin	-Vin	GND	NC	NC	+Vout	NC	GND	+Vin	+Vin
双路(D)	-Vin	-Vin	COM	NC	-Vout2	+Vout1	NC	COM	+Vin	+Vin	

A22	管脚(Pin)	1	2	10	11	12	13	14	15	23	24
	单路(S)	+Vin	+Vin	GND	+Vout	-Vin	-Vin	+Vout	GND	+Vin	+Vin

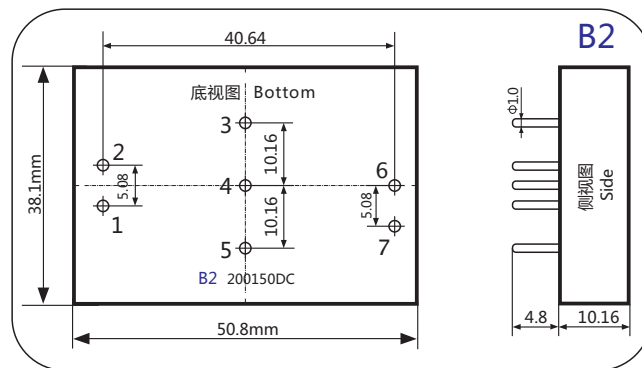
注意: 电源模块的各管脚定义如与选型手册不符, 应以实物标签上的标注为准。
 Note: The power modules such as the definition of the pin does not match with the hand book, please refer to the actual item.

• Typical product tabulates / 典型产品列表

型号 TYPE	输入电压范围 Input voltage range	输出电压/电流 (Output voltage / current)					
		Vo1		Vo2		Vo3	
		V	mA	V	mA	V	mA
DW6-□S3V3B2	5V(4.5~9V) 12V(9~18V) 24V(18~36V) 48V(36~72V) 96V(72~144V)	3V3	1800mA				
DW6-□S05B2		5V	1200mA				
DW6-□S09B2		9V	660mA				
DW6-□S12B2		12V	500mA				
DW6-□S15B2		15V	400mA				
DW6-□S18B2		18V	330mA				
DW6-□S24B2		24V	250mA				
DW6-□S48B2		48V	120mA				
DW6-□D3V3B2		+3V3	900mA	-3V3	900mA		
DW6-□D05B2		+5V	600mA	-5V	600mA		
DW6-□D09B2		+9V	330mA	-9V	330mA		
DW6-□D12B2		+12V	250mA	-12V	250mA		
DW6-□D15B2		+15V	200mA	-15V	200mA		
DW6-□D18B2		+18V	160mA	-18V	160mA		
DW6-□D24B2		+24V	125mA	-24V	125mA		
DW6-□D5S12B2		+5V	500mA	-5V	500mA	+12V	100mA
DW6-□D12S05B2		+12V	160mA	-12V	160mA	+5V	400mA
DW6-□D15S05B2		+15V	130mA	-15V	130mA	+5V	400mA

<□>: 表示输入电压标称值, 因篇幅有限, 以上只是部分产品列表, 若需列表以外产品, 请与本公司销售部联系。
 <□>: Shows the nominal value of input voltage, due to space limitations, the above list is only for some products, if demand for other than a list of products, please contact the Com-pany's sales department.

• B2 Dimensional Drawing / B2 封装尺寸图



• Mechanical Data / B2 封装尺寸: 50.8x38.1x10.16 (单位: mm)



• B2 Pin Assignments / B2 管脚定义

管脚号码	1	2	3	4	5	6	7	8
单路(S)	-Vin	+Vin	+Vout	GND	NC	NP	NP	
双路(D)	-Vin	+Vin	+Vout1	COM	-Vout2	NP	NP	
双路隔离(DI)	-Vin	+Vin	+Vout1	GND1	NP	+Vout2	GND2	
三路输出(TI)	-Vin	+Vin	+Vout1	COM	-Vout2	+Vout3	GND3	



注意: 电源模块的各管脚定义如与选型手册不符, 应以实物标签上的标注为准。
 Note: The power modules such as the definition of the pin does not match with the hand book, please refer to the actual item.

DW-5W/12W Series

(2:1 or 4:1) Wide Input range 5W/12W DC-DC Converter

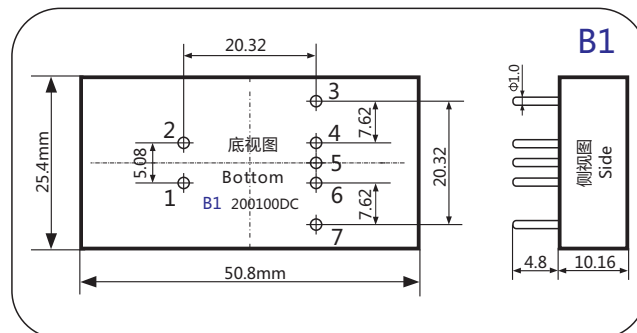
• Typical product tabulates / 典型产品列表

输入电压范围 Input voltage range		输出电压/电流 Output Vol/Current		型号 TYPE	输出电压/电流 Output Vol/Current	
		单路(S)			双路(D)	
		V	mA		V	mA
5V(4.5~9V) 12V(9~18V) 24V(18~36V) 48V(36~72V) 96V(72~144V)	DW5-6S3V3B1	3V3	1500mA	DW5-6D3V3B1	±3V3	±750mA
	DW5-6S05B1	5V	1000mA	DW5-6D05B1	±5V	±500mA
	DW5-□S09B1	9V	550mA	DW5-□D09B1	±9V	±275mA
	DW5-□S12B1	12V	420mA	DW5-□D12B1	±12V	±210mA
	DW5-□S15B1	15V	330mA	DW5-□D15B1	±15V	±165mA
	DW5-□S18B1	18V	275mA	DW5-□D18B1	±18V	±140mA
	DW5-□S24B1	24V	210mA	DW5-□D24B1	±24V	±100mA
	DW5-□S48B1	48V	100mA			
	DW10-□S3V3B1	3V3	3000mA	DW10-□D3V3B1	±3V3	±1500mA
	DW10-□S05B1	5V	2000mA	DW10-□D05B1	±5V	±1000mA
	DW10-□S09B1	9V	1110mA	DW10-□D09B1	±9V	±550mA
	DW10-□S12B1	12V	830mA	DW10-□D12B1	±12V	±410mA
	DW10-□S15B1	15V	660mA	DW10-□D15B1	±15V	±330mA
	DW10-□S18B1	18V	550mA	DW10-□D18B1	±18V	±280mA
	DW10-□S24B1	24V	410mA	DW10-□D24B1	±24V	±210mA
	DW10-□S48B1	48V	210mA			
	DW12-□S3V3B1	3V3	3600mA	DW12-□D3V3B1	±3V3	±1800mA
	DW12-□S05B1	5V	2400mA	DW12-□D05B1	±5V	±1200mA
	DW12-□S09B1	9V	1330mA	DW12-□D09B1	±9V	±660mA
	DW12-□S12B1	12V	1000mA	DW12-□D12B1	±12V	±500mA
	DW12-□S15B1	15V	800mA	DW12-□D15B1	±15V	±400mA
	DW12-□S18B1	18V	600mA	DW12-□D18B1	±18V	±330mA
	DW12-□S24B1	24V	500mA	DW12-□D24B1	±24V	±250mA

<□>: 表示输入电压标称值, 因篇幅有限, 以上只是部分产品列表, 若需列表以外产品, 请与本公司销售部联系。

<□>: Shows the nominal value of input voltage, due to space limitations, the above list is only for some products, if demand for other than a list of products, please contact the Company's sales department.

• B1 Dimensional Drawing / B1 封装尺寸图



• Mechanical Data / B1 封装尺寸: 50.8x25.4x10.16 (单位: mm)



• B1 Pin Assignments / B1管脚定义

管脚号码	1	2	3	4	5	6	7	8
单路(S)	-Vin	+Vin	+Vout	NP	NP	NP	GND	
双路(D)	-Vin	+Vin	+Vout1	NP	COM	NP	-Vout2	
双路隔离(DI)	-Vin	+Vin	+Vout1	GND1	NP	+Vout2	GND2	



注意: 电源模块的各管脚定义如与选型手册不符, 应以实物标签上的标注为准。

Note: The power modules such as the definition of the pin does not match with the hand book, please refer to the actual item.

DW-15W/20W Series (2:1 or 4:1) Wide Input range 15W/20W DC-DC Converter

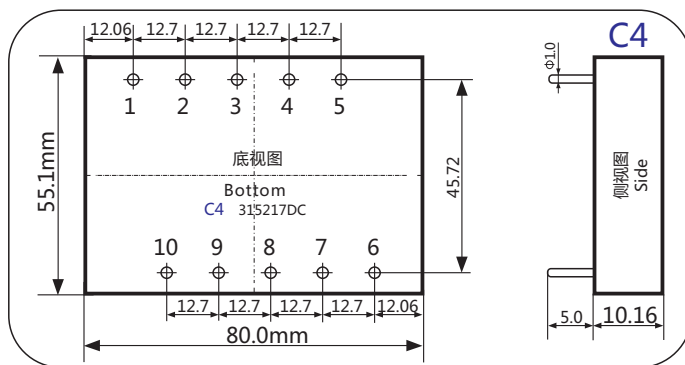
• Typical product tabulates / 典型产品列表

输入电压范围 Input voltage range	型号 TYPE	输出电压/电流 Output Vol/Current		型号 TYPE	输出电压/电流 Output Vol/Current		
		单路(S)			双路(D)		
		V	mA		V	mA	
5V(4.5~9V) 12V(9~18V) 24V(18~36V) 48V(36~72V) 96V(72~144V)	DW15-□S3V3C4	3V3	4500mA	DW15-□D3V3C4	±3V3	±2300mA	
	DW15-□S05C4	5V	3000mA	DW15-□D05C4	±5V	±1500mA	
	DW15-□S09C4	9V	1660mA	DW15-□D09C4	±9V	±830mA	
	DW15-□S12C4	12V	1250mA	DW15-□D12C4	±12V	±625mA	
	DW15-□S15C4	15V	1000mA	DW15-□D15C4	±15V	±500mA	
	DW15-□S18C4	18V	830mA	DW15-□D18C4	±18V	±410mA	
	DW15-□S24C4	24V	625mA	DW15-□D24C4	±24V	±310mA	
	DW20-□S3V3C4	3V3	6000mA	DW20-□D3V3C4	±3V3	±3000mA	
	DW20-□S05C4	5V	4000mA	DW20-□D05C4	±5V	±2000mA	
	DW20-□S09C4	9V	2220mA	DW20-□D09C4	±9V	±1110mA	
	DW20-□S12C4	12V	1660mA	DW20-□D12C4	±12V	±830mA	
	DW20-□S15C4	15V	1330mA	DW20-□D15C4	±15V	±660mA	
	DW20-□S18C4	18V	1110mA	DW20-□D18C4	±18V	±550mA	
	DW20-□S24C4	24V	830mA	DW20-□D24C4	±24V	±410mA	
			Vo1		Vo2		Vo3
	DW15-□T5-12IC4	+5V	2000mA	+12V	250mA	-12V	250mA
	DW15-□T5-15IC4	+5V	3000mA	+15V	200mA	-15V	200mA

<□>: 表示输入电压标称值, 因篇幅有限, 以上只是部分产品列表, 若需列表以外产品, 请与本公司销售部联系。

<□>: Shows the nominal value of input voltage, due to space limitations, the above list is only for some products, if demand for other than a list of products, please contact the Company's sales department.

• C4 Dimensional Drawing / C4 封装尺寸图



• Mechanical Data / C4 封装尺寸: 80x55.1x10.16 (单位: mm)

• Pin Assignments / 管脚定义

管脚号码	1	2	3	4	5	6	7	8	9	10
单路(S)	REM	ADJ	-Vin	+Vin	AUX	NC	NC	NC	+Vout	GND
双路(D)	REM	ADJ	-Vin	+Vin	AUX	-Vout2	COM	COM	+Vout1	COM
三路输出(TI)	REM	ADJ	-Vin	+Vin	AUX	-Vout3	+Vout2	COM	+Vout1	GND1

注意: 电源模块的各管脚定义如与选型手册不符, 应以实物标签上的标注为准。

Note: The power modules such as the definition of the pin does not match with the hand book, please refer to the actual item.

DW-15W/20W Series (2:1 or 4:1) Wide Input range 15W/20W DC-DC Converter

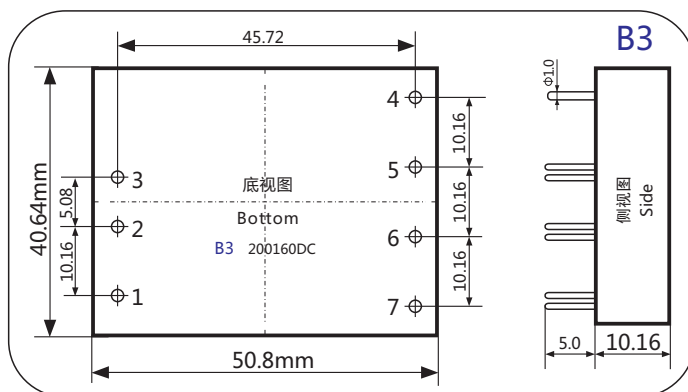
• Typical product tabulates / 典型产品列表

输入电压范围 Input voltage range	型号 TYPE	输出电压/电流 Output Vol/Current		型号 TYPE	输出电压/电流 Output Vol/Current	
		单路(S)			双路(D)	
		V	mA		V	mA
5V(4.5~9V) 12V(9~18V) 24V(18~36V) 48V(36~72V) 96V(72~144V)	DW15-□S3V3B3	3V3	4500mA	DW15-□D3V3B3	±3V3	±2300mA
	DW15-□S05B3	5V	3000mA	DW15-□D05B3	±5V	±1500mA
	DW15-□S09B3	9V	1660mA	DW15-□D09B3	±9V	±830mA
	DW15-□S12B3	12V	1250mA	DW15-□D12B3	±12V	±625mA
	DW15-□S15B3	15V	1000mA	DW15-□D15B3	±15V	±500mA
	DW15-□S18B3	18V	830mA	DW15-□D18B3	±18V	±410mA
	DW15-□S24B3	24V	625mA	DW15-□D24B3	±24V	±310mA
	DW15-□S48B3	48V	310mA			
	DW20-□S3V3B3	3V3	6000mA	DW20-□D3V3B3	±3V3	±3000mA
	DW20-□S05B3	5V	4000mA	DW20-□D05B3	±5V	±2000mA
	DW20-□S09B3	9V	2220mA	DW20-□D09B3	±9V	±1110mA
	DW20-□S12B3	12V	1660mA	DW20-□D12B3	±12V	±830mA
	DW20-□S15B3	15V	1330mA	DW20-□D15B3	±15V	±660mA
	DW20-□S18B3	18V	1110mA	DW20-□D18B3	±18V	±550mA
DW20-□S24B3	24V	830mA	DW20-□D24B3	±24V	±410mA	

<□>: 表示输入电压标称值, 因篇幅有限, 以上只是部分产品列表, 若需列表以外产品, 请与本公司销售部联系。

<□>: Shows the nominal value of input voltage, due to space limitations, the above list is only for some products, if demand for other than a list of products, please contact the Company's sales department.

• B3 Dimensional Drawing / B3 封装尺寸图



• Mechanical Data / B3 封装尺寸: 50.8x40.64x10.16 (单位: mm)



• Pin Assignments / 管脚定义

管脚号码	1	2	3	4	5	6	7	8
单路(S)	REM	-Vin	+Vin	NP	+Vout	GND	TRIM	
双路(D)	REM	-Vin	+Vin	+Vout1	COM	-Vout2	TRIM	
双路隔离(DI)	REM	-Vin	+Vin	+Vout1	GND1	+Vout2	GND2	

注意: 电源模块的各管脚定义如与选型手册不符, 应以实物标签上的标注为准。

Note: The power modules such as the definition of the pin does not match with the hand book, please refer to the actual item.

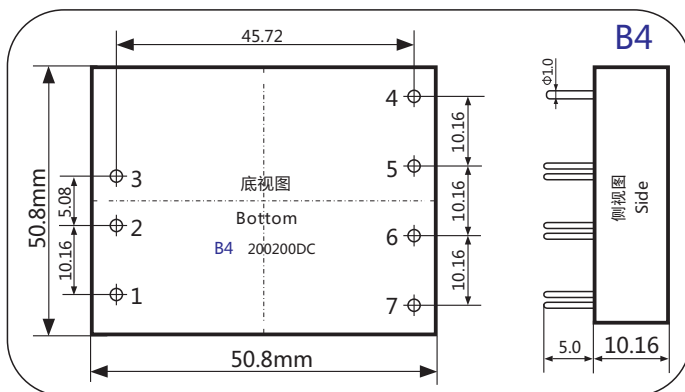
• Typical product tabulates / 典型产品列表

型号 TYPE	输入电压范围 Input voltage range	输出电压/电流 Output voltage / current					
		Vo1		Vo2		Vo3	
		V	mA	V	mA	V	mA
DW25-□S3V3B4	5V(4.5~9V) 12V(9~18V) 24V(18~36V) 48V(36~72V) 96V(72~144V)	3V3	7600mA				
DW25-□S05B4		5V	5000mA				
DW25-□S09B4		9V	2770mA				
DW25-□S12B4		12V	2080mA				
DW25-□S15B4		15V	1660mA				
DW25-□S24B4		24V	1040mA				
DW25-□S48B4		48V	520mA				
DW25-□D3V3B4		+3V3	3800mA	-3V3	3800mA		
DW25-□D05B4		+5V	2500mA	-5V	2500mA		
DW25-□D09B4		+9V	1390mA	-9V	1390mA		
DW25-□D12B4		+12V	1040mA	-12V	1040mA		
DW25-□D15B4		+15V	830mA	-15V	830mA		
DW25-□D24B4		+24V	520mA	-24V	520mA		
DW25-□T5-12B4		+5V	3500mA	+12V	250mA	-12V	250mA
DW25-□T5-15B4		+5V	3500mA	+15V	250mA	-15V	200mA

<□>: 表示输入电压标称值, 因篇幅有限, 以上只是部分产品列表, 若需列表以外产品, 请与本公司销售部联系。

<□>: Shows the nominal value of input voltage, due to space limitations, the above list is only for some products, if demand for other than a list of products, please contact the Com-pany's sales department.

• B4 Dimensional Drawing / B4 封装尺寸图



• Mechanical Data / B4 封装尺寸: 50.8x50.8x10.16 (单位: mm)



• Pin Assignments / 管脚定义

管脚号码	1	2	3	4	5	6	7	8
单路(S)	REM	-Vin	+Vin	NP	+Vout	GND	TRIM	
双路(D)	REM	-Vin	+Vin	+Vout1	COM	-Vout2	TRIM	
双路隔离(DI)	REM	-Vin	+Vin	+Vout1	GND1	+Vout2	GND2	
三路输出(TI)	REM	-Vin	+Vin	-Vout3	+Vout1	COM	+Vout2	

注意: 电源模块的各管脚定义如与选型手册不符, 应以实物标签上的标注为准。

Note: The power modules such as the definition of the pin does not match with the hand book, please refer to the actual item.

DW-15W/30W Series (2:1 or 4:1) Wide Input range 15W/30W DC-DC Converter

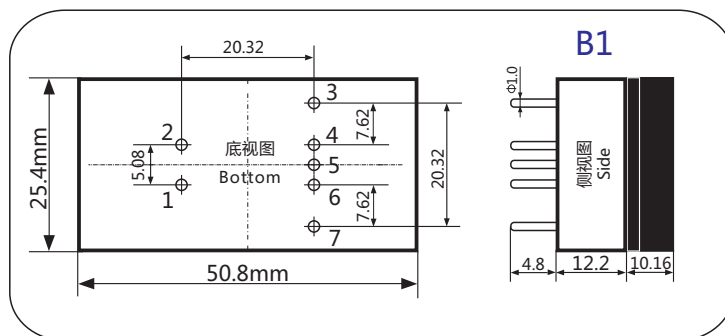
• Typical product tabulates / 典型产品列表

输入电压范围 Input voltage range	型号 TYPE	输出电压/电流 Output Vol/Current		型号 TYPE	输出电压/电流 Output Vol/Current	
		单路(S)			双路(D)	
		V	mA		V	mA
12V(9~18V) 24V(18~36V) 48V(36~72V) 96V(72~144V)	DW15-□S3V3B1	3V3	4500mA	DW15-□D3V3B1	±3V3	±2300mA
	DW15-□S05B1	5V	3000mA	DW15-□D05B1	±5V	±1500mA
	DW15-□S09B1	9V	1660mA	DW15-□D09B1	±9V	±830mA
	DW15-□S12B1	12V	1250mA	DW15-□D12B1	±12V	±625mA
	DW15-□S15B1	15V	1000mA	DW15-□D15B1	±15V	±500mA
	DW15-□S18B1	18V	830mA	DW15-□D18B1	±18V	±410mA
	DW15-□S24B1	24V	625mA	DW15-□D24B1	±24V	±310mA
	DW15-□S48B1	48V	310mA			
	DW30-□S3V3B1	3V3	9000mA	DW30-□D3V3B1	±3V3	±4500mA
	DW30-□S05B1	5V	6000mA	DW30-□D05B1	±5V	±3000mA
	DW30-□S09B1	9V	3300mA	DW30-□D09B1	±9V	±1660mA
	DW30-□S12B1	12V	2500mA	DW30-□D12B1	±12V	±1250mA
	DW30-□S15B1	15V	2000mA	DW30-□D15B1	±15V	±1000mA
	DW30-□S18B1	18V	1660mA	DW30-□D18B1	±18V	±830mA
	DW30-□S24B1	24V	1250mA	DW30-□D24B1	±24V	±625mA

<□>: 表示输入电压标称值, 因篇幅有限, 以上只是部分产品列表, 若需列表以外产品, 请与本公司销售部联系。

<□>: Shows the nominal value of input voltage, due to space limitations, the above list is only for some products, if demand for other than a list of products, please contact the Company's sales department.

• B1 Dimensional Drawing / B1 封装尺寸图



• Mechanical Data / B1 封装尺寸: 50.8x25.4x12.2 (单位: mm)

• Pin Assignments / 管脚定义

管脚号码	1	2	3	4	5	6	7	8
单路(S)	-Vin	+Vin	+Vout	NP	NP	NP	GND	
双路(D)	-Vin	+Vin	+Vout1	NP	COM	NP	-Vout2	
双路隔离(DI)	-Vin	+Vin	+Vout1	GND1	NP	+Vout2	GND2	

注意: 电源模块的各管脚定义如与选型手册不符, 应以实物标签上的标注为准。

Note: The power modules such as the definition of the pin does not match with the hand book, please refer to the actual item.